



- EN** Operator's manual
- FR** Manuel d'utilisation et d'entretien
- ES** Manual de explicaciones

**FS305**

**FS309**



## DECLARATION DE CONFORMITE AUX DIRECTIVES EUROPEENNES

HUSQVARNA CONSTRUCTION PRODUCTS, 433 81 Gothenburg, Sweden, déclare que la machine **FS305, FS309** est conforme aux dispositions des DIRECTIVES :

- "MACHINES" modifiées (89/392/CEE)
- "BASSE TENSION" modifiées (73/23/CEE)
- "CEM" (89/336/CEE)
- "BRUITS" (2000/14/CEE)
- "DECHETS D'EQUIPEMENTS ELECTRIQUES ET ELECTRONIQUES (DEEE)" (2002/96/CE)

## EG-RICHTLIENEN – KONFORMITÄTS-ERKLÄRUNG

HUSQVARNA CONSTRUCTION PRODUCTS, 433 81 Gothenburg, Sweden, erklärt hiermit, daß die machine **FS305, FS309** konform ist, mit der :

- "MACHINENBAURICHTLINIE" in Änderungs-fassung (89/392/CEE)
- "NIEDERSPANNUNGSRICHTLINIE" in Änderungs-fassung (73/23/CEE)
- Linie "ELEKTROMAGNETISCHESTÖR-SICHERHEIT" (89/336/CEE)
- "LÄRMSCHUTZRICHTLINIE" (2000/14/CEE)
- "ELEKTRO-UND ELEKTRONIK-ALTOERATE" (2002/96/EG)

## DICHIARAZIONE DI CONFORMITA' ALLE DIRETTIVE EUROPEE

HUSQVARNA CONSTRUCTION PRODUCTS, 433 81 Gothenburg, Sweden, dichiara che la macchina **FS305, FS309** est conforme e conforme alle disposizioni della DIRETTIVA :

- "MACCHINE" modificata (89/392/CEE)
- "BASSA TENSIONE" modificata (73/23/CEE)
- "CEM" (89/336/CEE)
- "RUMORI" (2000/14/CEE)
- "DI APPARECCHIATURE ELETTRICHE ED ELETTRONICHE (RAEE)" (2002/96/CE)

## FÖRSÄKRAN OM ÖVERENSSTÄMMELSE ENLIGT EU-DIREKTIVEN:

HUSQVARNA CONSTRUCTION PRODUCTS, 433 81 Gothenburg, Sweden, intygar härmed att maskinen **FS305, FS309** uppfyller villkoren i följande DIREKTIV:

- "MASKINER" och senare ändringar (89/392/CEE)
- "LÅGSPÄNNINGAR" och senare ändringar (73/23/CEE)
- "ELEKTROMAGNETISK KOMPATIBILITET" (89/336/CEE)
- "BULLER" (2000/14/CEE)
- "ELEKTRISKA ELLER ELEKTRONISKA PRODUKTER (WEEE)" (2002/96/EG)

## DECLARATION OF CONFORMITY WITH EUROPEAN DIRECTIVES

HUSQVARNA CONSTRUCTION PRODUCTS, 433 81 Gothenburg, Sweden, herewith declares that the machine **FS305, FS309** conforms to the DIRECTIVES :

- "MACHINES" modified (89/392/CEE)
- "LOW VOLTAGE" modified (73/23/CEE)
- "EMC" (89/336/CEE)
- "NOISE" (2000/14/CEE)
- "WASTE ELECTRICAL AND ELECTRONIC EQUIPEMENT (WEEE)" (2002/96/EC)

## DECLARACIÓN DE CONFORMIDAD CON LAS DIRECTIVAS EUROPEAS

HUSQVARNA CONSTRUCTION PRODUCTS, 433 81 Gothenburg, Sweden, dclara que la máquina **FS305, FS309** es conforme a las disposiciones de las DIRECTIVAS :

- "MÁQUINAS" modifiées (89/392/CEE)
- "BAJA TENSION" modifiées (73/23/CEE)
- "CEM" (89/336/CEE)
- "RUIDOS" (2000/14/CEE)
- "RESIDUOS DE APARATOS ELECTRICOS Y ELECTRONICOS" (2002/96/CE)

## VERKLARING VAN CONFORMITEIT MET DE EUROPESE RICHTLIJNEN:

HUSQVARNA CONSTRUCTION PRODUCTS, 433 81 Gothenburg, Sweden, verklaart dat de machine **FS305, FS309** voldoet aan de eisen van de volgende RICHTLIJNEN:

- "MACHINES", gewijzigd (89/392/EEC)
- "LAAGSPANNING", gewijzigd (73/23/EEC)
- "CEM" (89/336/EEC)
- "GELUID" (2000/14/EEC)
- "AFGEDANKTE ELEKTRISCHE EN ELEKTRONISCHE APPARATUUR (AEEA)" (2002/96/EG)

## DECLARAÇÃO DE CONFORMIDADE COM AS DIRECTIVAS EUROPEIAS:

HUSQVARNA CONSTRUCTION PRODUCTS, 433 81 Gothenburg, Sweden, declara que a máquina **FS305, FS309** está em conformidade com as disposições das DIRECTIVAS:

- "MÁQUINAS" modificadas (89/392/CEE)
- "BAIXA TENSÃO" modificadas (73/23/CEE)
- "CEM" (89/336/CEE)
- "RUIDOS" (2000/14/CEE)
- "RESIDUOS DE EQUIPAMENTOS ELECTRICOS E ELECTRONICOS (REEE)" (2002/96/CE)

Christer Carlberg, Operations Manager  
Husqvarna Construction Products

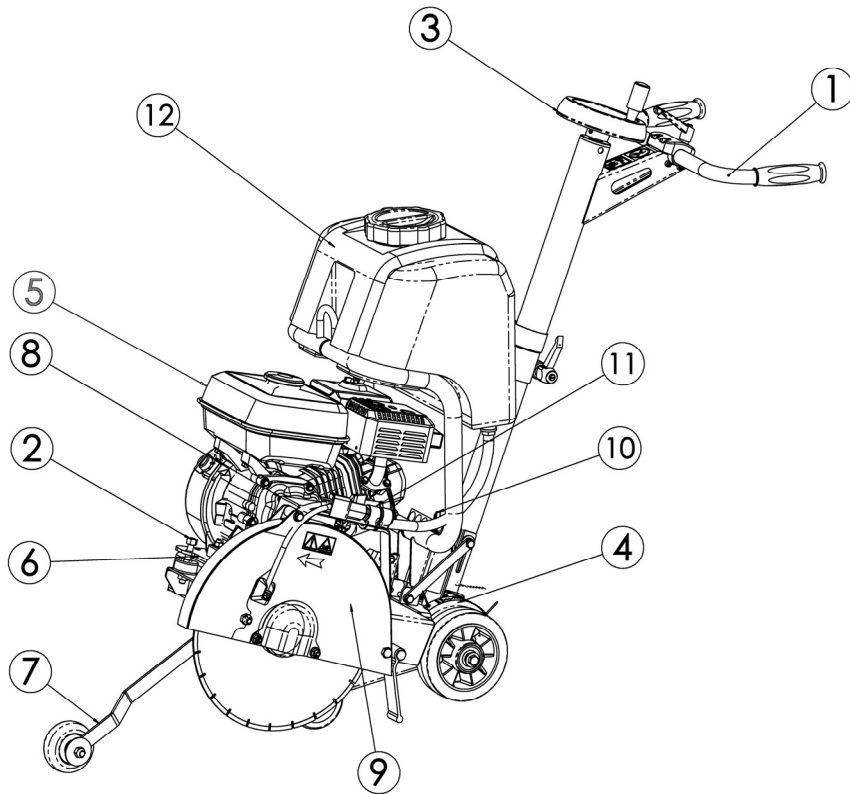


FIG. 1  
ABB. 1

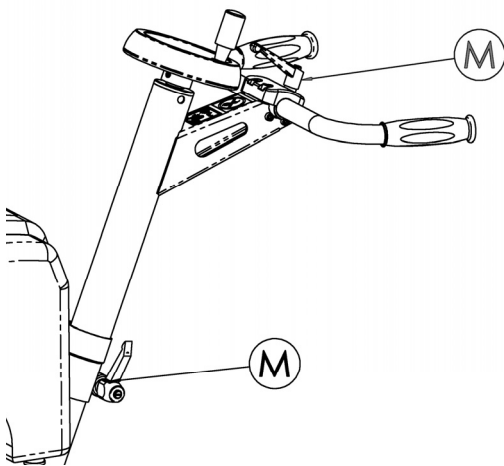


FIG. 2  
ABB. 2

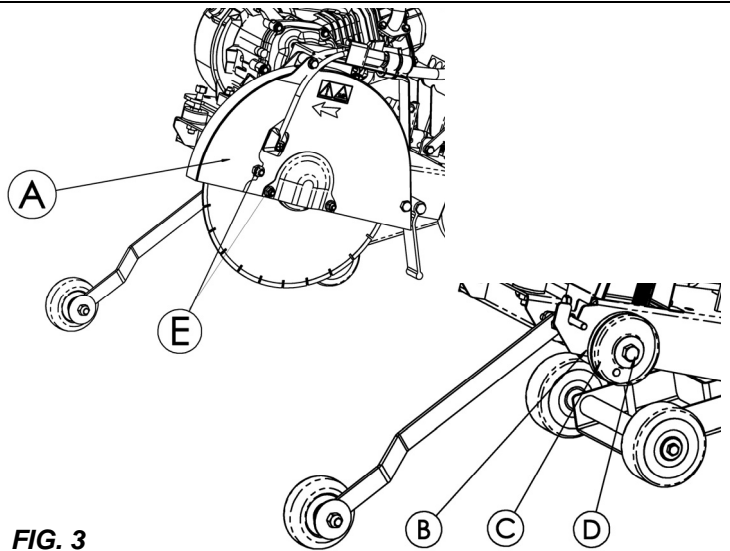


FIG. 3  
ABB. 3

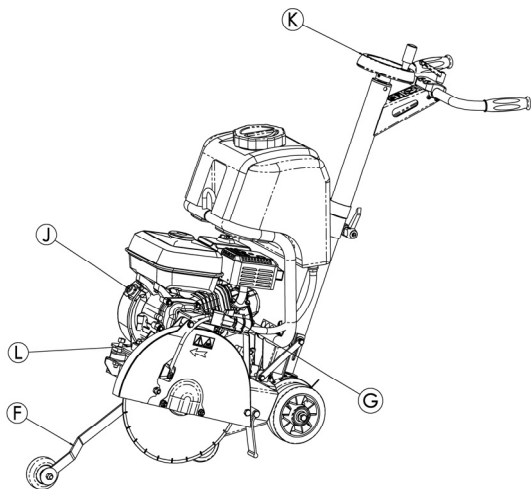


FIG. 4  
ABB. 4

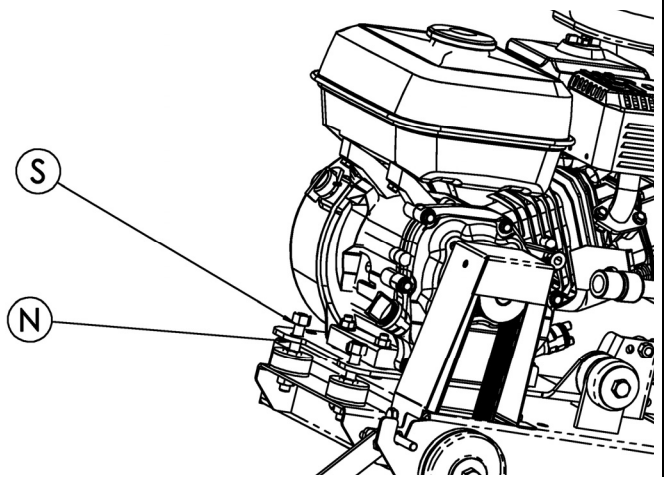


FIG. 5  
ABB. 5



# EXPLANATION OF SYMBOLS – WARNINGS

## Explanation of the symbols

Use of pictograms on the machines (in color) and in the manual indicate safety warnings



WATCH OUT! DANGER! General danger signal.



REQUIREMENT. The following must always be used with the machine:

- certified safety helmet
- certified ear protection
- certified safety goggles or certified eyeshade.



Read manual.



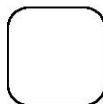
Carefully READ and assimilate the user's manual before operating the machine.



WARNING. Triangle and black marking on yellow background. Danger if instructions are ignored. Risk of injury to user or third party. Risk of damage to machine or tool.



PROHIBITED. Red circle with or without diagonal bar. Use or presence forbidden.



INFORMATION or specific instructions on how to use or check the machine.



This machine complies with the EC directive in force.



STOP symbol.



Safety goggles or eyeshade must be worn.



Loud noise in environment as defined by European Community directive.



Disk rotation must stop when moving the machine at the work site.



Disk must be removed during slinging, loading, unloading and transport at the worksite.



This symbol indicates that the machine is in conformance with the applicable European directive.



MANDATORY



INDICATION INFORMATION INSTRUCTION



WARNING



PROHIBITION

These signs give advice concerning your safety

#### Instruction plate

MANUFACTURER		CE	
TYPE	TYPE	N° SERIE	SERIAL FABRICATION YEAR
WEIGHT	MASSE UTILE	Kg	ANNEE DE FABRICATION
MAXI TOOL	Ø MAXI OUTL.	mm	PLAQUE DE TENSION
BORE	Ø ALESAGE	mm	FREQUENCE
SPEED	TMIN - RPM		INT. UTIL.
			POWER
			VOLTAGE
			FREQUENCY
			INTENSITY

### SPECIAL INSTRUCTIONS

The disc cutter is designed to provide safe and reliable service in operating conditions corresponding with the instructions, but it can present dangers for the user and risks of damage, consequently regular on site inspection is necessary to ensure :

- Perfect technical condition (use for the purpose for which it is intended and taking into account any risks, and correction of any malfunction detrimental to safety).
- Use a diamond disk for cutting with water (sawing new or old concrete, tarmac or asphalt). No other type of disk is allowed (abrasive, saw, etc...).
- Competent staff (qualifications, age, training) who have read and understood the manual in detail before starting work: any electrical, mechanical or other problem should be investigated by a qualified maintenance engineer (electrician, maintenance manager, approved dealer, etc . . .).
- That the warnings and instructions marked on the machine are followed (adequate personal protection, correct use, general safety instructions, etc).
- That no modification, transformation or addition is detrimental to safety and that it is carried out without prior authorization from the manufacturer.
- Respect of the maintenance intervals and periodical checks recommended.
- That only genuine spare parts are used for repairs.



**FAILURE TO COMPLY WITH THESE WARNINGS COULD RESULT IN DEATH OR SERIOUS BODILY INJURY.**



DO

- DO carefully read and understand all the instructions before operating the saw.
- DO always keep all guards in place.
- DO always wear safety approved hearing, eye, head and respiratory protection.
- DO keep all parts of your body away from the blade and all other moving parts.
- DO know how to stop the saw quickly in case of an emergency.
- DO shut off the engine and allow it to cool before refueling.
- DO inspect the blade, flanges and shafts for damage before installing the blade.
- DO use only blades marked with a maximum operating speed greater than the blade shaft speed.
- DO use caution and follow the instructions when loading and unloading the saw.



DO NOT

- DO NOT allow other persons to be near the saw when starting, refueling or when cutting.
- DO NOT operate gasoline engines in an enclosed area unless it is properly vented.
- DO NOT use damaged equipment or blades.
- DO NOT operate the saw in areas of combustible material. Sparks from the saw could cause a fire or an explosion.
- DO NOT allow blade exposure from the guard to be over 180 degrees.
- DO NOT leave the saw unattended with the motor running.
- DO NOT operate the saw while under the influence of drugs or alcohol.

1

Use

- Utilisation : sawing with sprinkling of fresh, old or coated (asphalt) concrete.
- Tools : Water-cooled diamond-impregnated discs - Ø 350 mm - bore 25.4 mm.  
(Details from your usual supplier).

2

Technical specifications

- Depth of cut : Ø 350: 120 mm
- Nominal weight (unladen) : 48 to 52 kg (depending on version)
- Service weight : 52 to 70 kg (including tank)
- Dimensions (LxWxH) :  
- 860 x 505 x 990 mm
- Speed of spindle rotation :  
- 2450-2680 rpm  
(depending on version)

MODEL	POWER	PRESSURE	VIBRATION
	LEVEL	LEVEL	LEVEL
	Lwa (dB)	Lpa (dB)	G ENV
	EN ISO 3744	EN ISO 4871	25349
HONDA GX160	108	84	1.3
ROBIN EY20	102	88	1.3

3

Description of the machine [FIG. 1]

1. Handle
2. Motor stop
3. Lowering handwheel
4. Graduated scale
5. Engine
6. Engine oil drain
7. Front guide
8. Belt cover
9. Disk casing
10. Service spanner
11. Water intake tap
12. Tank (17 litres)

4

Handling - Transport



Switch off the disk prior to moving the machine on jobsite.



Remove the disk prior to hoisting, loading, unloading and transporting the machine on jobsite.

Height of adjustable handlebars (unscrew the lever (M)) [SEE FIG. 2].

- The ground-saw only needs pushing to move it into position on the site. It is easy to move on its four wheels, without starting the motor.
- The handwheel (K) locks the machine itself in the high position.
- Light weight, compact, transportable in a vehicle by one person.

## 5 Check before starting



**Please read the instructions for use prior to operating the machine for the first time.**



**Motor off.**



**The working area must be completely cleared, well lit and all safety hazards removed (no water or dangerous objects in the vicinity)**



**The operator must wear protective clothing appropriate to the work he is doing. We recommend that this includes both eye and ear protection**



**The use of ear protection is mandatory.**



**Any persons not involved in the work should leave the working area**



**Use only blades marked with a maximum operating speed greater than blade shaft speed**



**Take into account the working conditions from health and safety point of view.**

- Model with petrol motor (refer to the motor maintenance manual).
  - Make sure the fuel is topped up.
  - Check the oil level; as the motor often works at an angle, check it frequently in the horizontal position that the oil level is never below the second line on the gauge.
  - To start up, refer to the motor instructions.

## 6 Fitting the blade



**Motor off**

- Place the machine in an high position.
- Make sure the engine is switched off.
- Unscrew the nuts (E) from the guard housing [SEE FIG. 3].
- Remove the guard housing (A).
- Fit the diamond impregnated disc.



**Note the direction of rotation indicated by an arrow on one side of the disc (direction of rotation shown on the outside of the guard housing). Check the state of cleanliness of the disc support faces of the adaptor plates (B and C) and of the spindle.**

- Firmly tighten the screw (D) with the spanner provided with the machine, holding the disc steady by hand.
- Replace the protective guard (if this is not replaced the casing safety switch will prevent the saw being started).
- Reconnect the water hose (mains with valve or tank).
- Tighten the nut (E).



**The holding screw (D) of the disc has a right-hand thread.**

## 7 Starting up



**Always pay extreme care and attention to the preparation of the machine before starting up**



**Remove all adjustment tools and wrenches from floor and machine**



**Always keep blade guard in place**

- Turn off the water tap (G) (from the mains or from the tank in order to fill it) [SEE FIG. 4].
- Mark out a line on the ground where a cut has to be made.
- Position the machine so that the lowered front guide (F) and the disc are aligned with the line marked out (disc visible on the belt side of the housing).
- Start up the motor : refer to the motor manufacturer's instructions in the service manual.
- Allow the motor to warm up.
- Turn on the water supply tap (G) (from the mains or the water tank).
- Increase the motor speed to full.
- Hold the saw, turn the handwheel (K) and position the disk in contact with the floor.
- Lower to the depth of cut required, and bearing in mind that each graduation of the scale corresponds to a depth of 1cm. Lower slowly to prevent the engine stalling.
- Gently move the machine forward ensuring that the front guide and the disc are always aligned with the line marked out.

**Ensure that the water supply is abundant, when cutting wet.**

## 8 Stopping the machine



**Motor off**

- Turn the handwheel (K) to free the disk from the groove [SEE FIG. 4].
- No need to lock the saw up by releasing the handwheel (K).
- Turn off the water supply (G).
- Allow the motor to run idle.
- Switch off the motor (refer to the motor maintenance manual).



**Emergency stop**  
Operate the switch (J) in front of the engine.

## 9 Incidents during sawing

- There may be several causes responsible for arresting the disc in the sawing groove or stopping the machine:
  - Belt tension.
  - Lack of fuel.
  - Advance or lowering too fast, etc.
- **In all case**, disengage the disc from the groove and give the machine a complete check-over.



**Entrust repairs to authorised dealer only**

## 10 Maintenance (with the engine stopped)



**"Engine Maintenance" : refer to the engine maintenance booklet.**

- After use, clean the machine.
- Lubrication : apply a moderate amount of bearing lubricant to the nipples in the depth adjustment chassis (depending on the frequency of use).



**OIL**

- Check the engine oil everyday. Refer to the engine manual for oil change schedule. Use :
  - SAE 10W30 motor oil with API class MS, SD, SE or better for PETROL engines.
  - API class CD or CE for Hatz diesel.



**Dispose of the old oil as laid down by the regulations in force.**



- To change the oil, remove the disk, lower the saw to the lowest position and then place the tray by the drain outlet (L) [SEE FIG. 4].



**Store in a safe place, out of reach of children**

**Maintain tools carefully**

#### AIR FILTER

- Read engine owners manual for maintenance intervals. For extremely dusty conditions you may have to clean the air filter element 2 to 3 times a day.
- Replace any damaged filters or gaskets.



**Store in a safe place out of reach of children.**

**Remove all adjustment tools and wrenches**

**Store diamond tool in a safe place so it cannot be bent or damaged.**

#### 11 Engine belt tension

It may be necessary after using a few times to retension the belts, without over-tightening them. To do this :

- loosen the 2 nuts (S) fixing the motor to the chassis, without removing them [SEE FIG. 5];
- tighten the tensioning nuts (N), these screws pull the motor up.
- at normal tension, tighten the motor fixing nuts (S).

#### 12 Important advice

- Periodically, tighten the nuts and bolts and particularly after the first few hours of use.
- Check belt tensions, tighten them without overdoing it.
- When garaged, it is recommended the disc be removed and suitably stored.
- Make sure the disc is correctly tightened.
- Make sure the disc supports surfaces, the adaptor plates and the spindle are kept clean.



**The manufacturer declines all responsibility for loss or damage resulting from misuse or any modification, alteration or powering that does not conform to the manufacturer's original specifications.**



**At the work station, the sound pressure level may exceed 85 db (A)**

**In this case individual protection measures must be taken.**



**When working in a limited or closed area, make sure that the ventilation is adequate. The exhaust gases contain carbon monoxide (exposure to this toxic gas can cause loss of consciousness and can be fatal).**

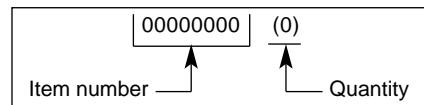
#### 13 Repairs

S  
A  
V

We carry out all repairs in the shortest possible time and at the most economical prices (see overleaf for our address).

#### 14 Spare parts

For quick supply of spare parts and to avoid any lost time it is essential to quote the data on the manufacturer's plate fixed to the machine and the part number of the part to be replaced with every order.



See exploded view

#### 15 Scrapping



**In the event of deterioration and scrapping of the machine, the following items must be disposed of in accordance with the requirements of the legislation in force.**

- Main materials :
  - *Motor* : Aluminium (AL), Steel (AC), Copper (CU), Polyamide (PA)
  - *Machine* : Steel sheet (AC), Cast iron (FT), Aluminium (AL)

*The instructions for use and spare parts found in this document are for information only and are not binding.*

*As part of our product quality improvement policy, we reserve the right to make any and all technical modifications without prior notice.*

# EXPLICATION DES SYMBOLES – CONSIGNES

## Explication des symboles

L'emploi de pictogrammes sur les machines (en couleur) et dans le manuel indiqueront des conseils qui concernent votre sécurité.



ATTENTION ! DANGER ! Symbole général de danger.



OBLIGATION. Toujours utiliser avec la machine :

- un casque de protection homologué
- des protections d'oreilles homologuées
- des lunettes de protection homologuées ou une visière homologuée.



Veuillez lire le manuel.



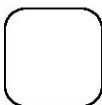
LIRE attentivement et bien assimiler le manuel d'utilisation avant d'utiliser la machine.



AVERTISSEMENT. Triangle et marquage noir sur fond jaune : danger si non respect. Risque de blessures pour l'utilisateur ou des tiers. Risques de dégâts sur la machine ou l'outil.



INTERDICTION. Cercle rouge avec ou sans barre : utilisation ou présence interdite.



INDICATION. Information – Instruction : indications particulières concernant l'utilisation ou le contrôle de la machine.



Cette machine est conforme à la directive CE en vigueur.



Le symbole ARRET.



Port de lunettes protectrices ou visière obligatoire.



Emissions sonores dans l'environnement selon la directive de la Communauté européenne.



Obligation d'arrêt de rotation du disque lors du déplacement sur le chantier.



Obligation de démonter le disque lors d'élingage, de chargement, de déchargement et de transport sur le chantier.



Ce symbole signifie que la machine est conforme à la directive européenne.



OBLIGATION



INDICATION  
INFORMATION  
INSTRUCTION



AVERTISSEMENT



INTERDICTION

Ces signes vous indiqueront les conseils qui concernent votre sécurité

Plaque signalétique

LE FABRICANT			
TYPE		N° SERIE	
Ø		ANNEE DE FABRICATION	
MASSE UTILE	Kg	PUISSANCE	NW
Ø MAXI OUTIL	mm	PLAGE DE TENSION	V
Ø ALESAGE	mm	FREQUENCE	Hz
TAMN - RPM		INT. UTIL.	

### CONSIGNES PARTICULIERES

Conçue pour assurer un service sûr et fiable dans des conditions d'utilisation conformes aux instructions, la tronçonneuse peut présenter des dangers pour l'utilisateur et des risques de détérioration, des contrôles réguliers sur le chantier sont nécessaires, s'assurer :

- de l'état technique parfait (utilisation suivant affectation en tenant compte des risques éventuels, suppression de toute malfunction nuisible à la sécurité),
- de l'usage d'un disque diamant pour tronçonnage à l'eau (sciage des bétons frais ou anciens et enrobés, asphalte), utilisation interdite de tout autre disque (abrasif, scie, etc...),
- d'un personnel compétent (qualification, âge, formation, instruction) ayant pris connaissance dans le détail du manuel avant de commencer le travail ; toute anomalie électrique, mécanique ou d'autre origine sera contrôlée par une personne habilitée à intervenir (électricien, responsable de l'entretien, agent revendeur agréé, etc...),
- s'assurer du respect des avertissements et directives marqués sur la machine (protections adéquates personnelles), utilisation conforme, instructions de sécurité en général...),
- qu'aucune modification, transformation ou complément soit nuisible à la sécurité et ne sera pas réalisée sans l'autorisation du fabricant,
- du respect des fréquences de vérifications et contrôles périodiques préconisés,
- de la garantie de pièces de rechange d'origine lors de réparations.



**LE NON-RESPECT DE CES MISES EN GARDE PEUT ENTRAÎNER LA MORT OU DES BLESSURES CORPORELLES GRAVES**



**FAIRE**

- FAIRE lire attentivement et bien vérifier que l'on a compris toutes les instructions avant d'utiliser la scie.
- FAIRE toujours maintenir toutes les protections en place.
- FAIRE toujours porter les sécurités auditives et/ou oculaires, le protège-tête et la protection respiratoire approuvés.
- FAIRE toujours se tenir à distance du disque et de toutes les autres pièces en mouvement.
- FAIRE savoir comment arrêter la scie rapidement en cas d'urgence.
- FAIRE couper le moteur et le laisser refroidir avant de refaire le plein.
- FAIRE vérifier le disque, les brides et les arbres afin de voir s'ils ne sont pas endommagés avant d'installer le disque.
- FAIRE n'utiliser que des disques portant l'indication d'une vitesse de fonctionnement maximale supérieure à la vitesse de l'arbre de disque.
- FAIRE preuve de prudence et respecter les instructions lors du chargement et du déchargement de la scie.



**NE PAS FAIRE**

- NE PAS permettre à d'autres personnes de se trouver à proximité de sa mise en service, du plein en carburant ou des travaux de coupe.
- NE PAS faire fonctionner des moteurs à essence dans un espace clos, sauf ventilation appropriée.
- NE PAS utiliser un matériel ou des disques endommagés.
- NE PAS faire fonctionner la scie dans des espaces où se trouvent des produits combustibles. Les étincelles projetées par la scie peuvent provoquer un incendie ou une explosion.
- NE PAS autoriser une protection du disque inférieure à 180 degrés.
- NE PAS laisser la scie sans surveillance alors que le moteur tourne.
- NE PAS utiliser la scie sous l'influence de drogue ou d'alcool.

### 1 Emploi

- Utilisation : sciage avec arrosage des bétons frais ou anciens et enrobés (asphalte).
- Outils : Disques Diamantés à Eau - Ø 350 mm - alésage 25,4 mm. (Renseignements auprès du fournisseur habituel).

### 2 Caractéristiques techniques

- Profondeur de coupe : Ø 350 : 120 mm
- Masse nominale (à vide) : 48 à 52 kg (selon version)
- Masse en service : 52 à 70 kg
- Dimensions (L x l x H)(Emballage) : - 860 x 505 x 990 mm
- Vitesse de rotation de la broche : - 2450 - 2680 tr/mn (selon version)

MODELE	PUISSANCE ACOUSTIQUE Lwa (dB) EN ISO 3744	PRESSION ACOUSTIQUE Lpa (dB) EN ISO 4871	NIVEAU DE VIBRATION G ENV 25349
HONDA GX160	108	84	1.3
ROBIN EY20	102	88	1.3

### 3 Description de la machine [FIG. 1]

1. Brancard
2. Stop moteur
3. Volant de plongée
4. Indicateur de plongée
5. Moteur
6. Sortie de vidange moteur
7. Guide avant
8. Carter de courroie
9. Carter de disque
10. Clé de service
11. Robinet d'arrivée d'eau
12. Réservoir (17 L)

### 4 Manutention - Transport



Obligation d'arrêt de rotation du disque lors du déplacement sur le chantier.



Obligation de démonter le disque lors d'élingage, de chargement, de déchargement et de transport sur le chantier.

Hauteur du brancard réglable (desserrage des leviers (M)) [VOIR FIG. 2].

- Pour la mise en place sur chantier, il suffit de pousser la scie à sols. Elle se déplace facilement sur ses quatre roues, sans mise en route du moteur.
- Blocage en position haute par le volant (K).
- D'un poids léger, compacte, transportable dans un véhicule par une personne.

## 5 Vérification avant mise en service



**Avant toute mise en service, lire attentivement la notice, et se familiariser avec la machine.**



**Arrêt moteur**



**Le champ de travail doit être parfaitement en ordre, bien éclairé, et ne doit présenter aucun risque (ni-humidité, ni produits dangereux à proximité).**



**L'opérateur doit porter des protections appropriées au travail.**



**Obligation port du casque antibruit.**



**Toute personne étrangère doit être écartée du champ de travail.**



**N'utiliser que des disques marqués d'une vitesse maximale de travail supérieure à la vitesse effective de la broche**



**Tenir compte des conditions ambiantes (santé et sécurité).**

- Machine à moteur essence (se reporter au livret d'entretien moteur)
  - S'assurer du plein de carburant.
  - Vérifier le niveau d'huile: le moteur travaillant souvent incliné, vérifier fréquemment, en position horizontale, que son niveau d'huile ne soit jamais inférieur au deuxième trait de la jauge.
  - Pour le démarrage, se reporter à la notice des moteurs.

## 6 Montage du disque



**Arrêt moteur**

- Mettre la machine en position haute.
- S'assurer que le moteur est bien à l'arrêt (Bouton stop (J) en position "O").
- Desserrer les écrous (E) du carter [VOIR FIG. 3].
- Basculer la partie avant du carter (A).
- Monter le disque diamanté.



**Tenir compte de son sens de rotation repéré par une flèche sur l'une de ses faces (sens de rotation sur le flanc droit du carter).**

**Vérifier l'état de propreté des faces d'appui du disque, des flasques (B et C) et de la broche.**

- Bloquer fermement la vis (D) à l'aide de la clé fournie avec la machine en immobilisant le disque avec la main.
- Remettre le carter de protection (obligatoire pour la sécurité carter, sinon démarrage impossible).
- Raccorder le flexible à eau (réseau avec vanne ou réservoir).
- Serrer les écrous (E).



**La vis de serrage (D) du disque possède un filetage avec un pas à droite**

## 7 Mise en service



**Rester toujours attentif.**



**Avant la mise en service, enlever les clés et outils de réglage du sol ou de la machine.**



**Maintenir le carter de protection en place pendant toute la durée du travail.**

- Fermer le robinet d'eau (G) (du réseau ou du réservoir pour le remplir) [VOIR FIG. 4].
- Tirer "au bleu" un trait sur le sol, à l'emplacement à tronçonner.
- Positionner la machine de telle façon que le guide avant rabattu (F) et le disque coïncident avec le tracé (disque visible côté carter de courroies).
- Procéder à la mise en marche du moteur: se reporter aux instructions du manuel de service du constructeur.
- Laisser chauffer le moteur.
- Ouvrir le robinet d'arrivée d'eau (G) (du réseau ou du réservoir).
- Augmenter la vitesse du moteur à plein régime.
- Maintenir la machine, actionner le volant (K) et amener le disque en contact avec le sol.
- Procéder à la descente jusqu'à la profondeur de coupe désirée à l'aide du volant. Sur l'indicateur de plongée, une graduation correspond à une plongée de 1cm. Une descente lente est conseillée pour éviter de caler le moteur.
- Faire avancer doucement la machine en s'assurant que le guide avant et le disque coïncident toujours bien avec le tracé.

**Arrosage abondant = longévité assurée du disque**

## 8 Arrêt



**Arrêt moteur.**

- Manoeuvrer le volant de plongée (K), pour dégager le disque de la rainure [VOIR FIG. 4].
- Aucun blocage n'est nécessaire, la machine reste en position haute.
- Fermer l'arrivée d'eau (G).
- Laisser tourner le moteur au ralenti.
- Arrêter le moteur (se reporter au livret d'entretien moteur).



L'interrupteur (J) se trouve à l'avant droit de la machine, sur le moteur thermique.

## 9 Incident en cours de sciage

- Plusieurs causes peuvent être responsables de l'arrêt du disque dans la rainure de sciage ou de la machine :
  - Tension des courroies,
  - Défaut de carburant,
  - Avance ou plongée trop rapide, etc.
- **Dans tous les cas**, dégager le disque de la rainure et faire un contrôle complet de la machine.



**Faire réparer par une personne qualifiée.**

## 10 Entretien (arrêt obligatoire du moteur)



**"Entretien moteur" : se reporter au livret d'entretien moteur.**

- Après chaque usage, nettoyer la machine.
- Graissage : alimenter modérément les graisseurs du châssis de réglage de profondeur avec de la graisse à roulement (suivant la fréquence d'utilisation).



**HUILE**

- Vérifier l'huile moteur quotidiennement. Se référer au manuel du moteur pour les intervalles de remplacement de l'huile. Utiliser :
  - Une huile moteur SAE 10W30 avec classe API MS, SD, SE ou supérieure pour les moteurs à essence.
  - Une huile classe API CD ou CE pour les moteurs diesels.



**Le lubrifiant sera éliminé conformément aux modalités prescrites par la législation en vigueur.**

- Pour vidanger le moteur, démonter le disque, descendre la machine en position basse maximum, puis présenter le bac à la sortie de vidange (L) [VOIR FIG. 4].



**Stocker dans un endroit sûr, hors de portée des enfants  
Entretien soigneusement les outils**

#### FILTRE A AIR

- Se référer au manuel du moteur pour les intervalles d'entretien. Pour des conditions extrêmement poussiéreuses, il faudra parfois nettoyer l'élément filtrant 2 à 3 fois par jour.
- Remplacer tous les filtres ou garnitures d'étanchéité endommagés.



**Remiser les produits dans un endroit sûr, hors de portée des enfants.  
Enlever tous les outils de réglage et les clés.  
Remiser l'outil diamanté à un endroit où il ne pourra pas être faussé ou endommagé.**

#### 11 Tension de la courroie moteur

Après quelque temps d'utilisation, il peut être nécessaire de retendre, sans exagération, les courroies. Pour cela :

- Débloquer les 2 écrous (S) fixant le moteur au châssis, sans les enlever [VOIR FIG. 5].
- Visser les écrous de tension (N), ces écrous poussent le moteur vers le haut.
- A tension normale, bloquer les écrous de serrage (S) du moteur.

#### 12 Recommandations importantes

- Périodiquement, resserrer la boulonnerie, et tout spécialement après les premières heures de fonctionnement.
- Vérifier la tension des courroies, les tendre sans exagération.
- En position garage, il est recommandé d'enlever le disque et de le stocker convenablement.
- Effectuer un serrage correct du disque.
- Veiller à la propreté des surfaces d'appui du disque, des flasques et de la broche.



**Le fabricant décline toute responsabilité résultant d'un emploi inadapté, de toute modification, adaptation ou motorisation non conforme à la définition d'origine prévue par le constructeur.**



**Au poste de travail, la puissance sonore peut dépasser 85 db (A). Dans ce cas, des mesures individuelles de protection doivent être prises.**



**Dans le cas de travail dans un endroit restreint ou fermé, assurez-vous d'une ventilation adéquate, les gaz d'échappement contenant de l'oxyde de carbone (une exposition à ce gaz toxique peut provoquer une perte de conscience et être mortelle).**

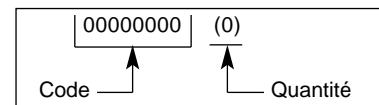
#### 13 Réparation

S  
A  
V

Vous adresser à votre fournisseur qui est à votre entière disposition pour vous assurer toute réparation dans les délais les plus réduits et aux meilleurs prix.

#### 14 Pièces de rechange

Pour une livraison rapide des pièces de rechange et afin d'éviter toute perte de temps, il est nécessaire de rappeler à votre fournisseur lors de chaque commande les indications qui figurent sur la plaque signalétique de la machine, ainsi que la référence de la pièce à remplacer.



Voir vue éclatée

#### 15 Mise au rebut



**En cas de détérioration et de casse de la machine, ceux-ci seront éliminés conformément aux modalités prescrites par la législation en vigueur.**

- Matériaux principaux :
  - Moteur : Aluminium (AL) - Acier (AC)  
Cuivre (CU) - Polyamide (PA)
  - Machine : Tôle acier (AC) - Fonte (FT)  
Aluminium (AL)

Les conseils d'utilisation et pièces détachées figurant sur ce document sont donnés à titre d'information et non d'engagement.

Soucieux de la qualité de nos produits, nous réservons le droit d'effectuer, sans préavis, toutes modifications techniques en vue de leur amélioration.

# EXPLICACIÓN DE LOS SÍMBOLOS – CONSIGNAS

## Explicación de los símbolos

El empleo de pictogramas en las máquinas (de color) y el manual indicarán consejos relativos a la seguridad.



¡ATENCIÓN! ¡PELIGRO! Símbolo general de peligro.



**OBLIGACIÓN.** Utilizar siempre con la máquina:

- un casco de protección homologado
- protecciones auriculares homologadas
- gafas protectoras homologadas o una visera homologada.



Lea el manual



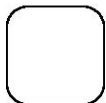
**LEER** atentamente y comprender bien el manual de utilización antes de usar la máquina.



**ADVERTENCIA.** Triángulo y marcado negro en fondo amarillo: peligro si no se respeta. Riesgo de herida para el usuario o algún tercero. Riesgos de daños en la máquina o la herramienta.



**PROHIBICIÓN.** Círculo rojo con o sin barra: utilización o presencia prohibida.



**INDICACIÓN.** Información – Instrucción: indicaciones especiales relativas a la utilización o el control de la máquina.



Esta máquina está en conformidad con la directiva CE vigente.



Símbolo PARADA.



Obligación llevar gafas protectoras o visera.



Emisiones sonoras en el entorno según la directiva de la Comunidad Europea.



Obligación detener la rotación del disco durante el desplazamiento en la obra.



Obligación de desmontar el disco en caso de eslingado, carga, descarga y transporte en la obra.



## 5 Verificación antes de la puesta en marcha



**Antes de la puesta en marcha, leer detenidamente las instrucciones y familiarizarse con la máquina.**



**Parada del motor.**



**El campo de trabajo debe estar perfectamente en orden, bien iluminado y no debe presentar ningún riesgo o peligro. (Ni humedad, ni productos peligrosos cerca)**



**Llevar las protecciones propias de su trabajo**



**Es obligatorio el uso del casco antiruidos.**



**Alejar a toda persona, ajena a la obra.**



**Usar únicamente discos con una velocidad nominal superior a la del eje del disco.**



**Tome en cuenta las condiciones de trabajo desde el punto de vista de la salud la seguridad.**

- Máquina con motor de gasolina (véase el folleto de mantenimiento del motor).
- Comprobar si el depósito de combustible está lleno.
- Medir el nivel de aceite. Como el motor funciona a menudo inclinado, asegurarse frecuentemente de que el aceite alcanza como mínimo la segunda marca de la varilla.
- Véase el folleto de instrucciones de cada motor para la puesta en marcha.

## 6 Montaje del disco



**Parada del motor.**

- Ponga la máquina en posición alta.
- Comprobar si pare el motor.
- Afloje las tuercas (E) del cárter [VEASE FIG. 3].
- Retire el cárter (A).
- Monte el disco de diamante.



**Montar el disco de modo que la flecha de dirección de rotación (en una cara del disco) coincida con la flecha en el costado derecho del cárter.**

**Comprobar si las superficies de contacto del disco, de los soportes (B y C) y del eje están limpias.**

- Mantener el disco inmóvil con la mano y apretar bien el tornillo (D) utilizando la llave suministrada con la máquina.
- Poner el cárter de protección (obligatorio para la seguridad cárter; de lo contrario el arranque es imposible).
- Conectar la manguera de agua (grifo de distribución o depósito).
- Apretar la tuerca (E).



**El tornillo de sujeción (D) del disco tiene rosca a derechas.**

## 7 Puesta en marcha



**Este siempre atento**



**Antes de la puesta en marcha, quitar las llaves y útiles de reglaje**



**Tener siempre colocados los protectores**

- Cierre el grifo de agua (G) (distribución o para llenar el depósito) [VEASE FIG. 4].
- Haga un trazo en el suelo donde debe cortar.
- Coloque la máquina en la posición apropiada: con la guía frontal (F) y el disco sobre el trazo (disco visible por el cárter de las correas).
- Ponga el motor en marcha de acuerdo con las instrucciones de servicio del fabricante.
- Deje calentar el motor.
- Abra el grifo de aspersión de agua (G) (distribución o depósito).
- Acelere el motor a régimen máximo.
- Sujetar la máquina, levantar la perilla (K) con el pie y desplazar el disco hasta que se ponga en contacto con el suelo.
- Efectuar la bajada hasta la profundidad de corte deseada (hasta escuchar un clic), teniendo en cuenta que cada muesca de la perilla corresponde a una profundidad de 1 cm. Se recomienda proceder lentamente para evitar que el motor se cale.
- Haga avanzar la máquina lentamente, manteniendo el disco y la guía frontal sobre el trazo de corte.

**La duración de su disco dependerá mucho de su refrigeración que debe ser muy abundante**

## 8 Parada



**Parada del motor.**

- Levantar la perilla (K) y tirar hacia sí para liberar el disco de la ranura [VEASE FIG. 4].
- Bloquear la máquina en posición alta soltando la palanca (K).
- Cierre la alimentación de agua (G).
- Deje funcionar el motor en régimen mínimo.
- Pare el motor (véase el folleto de instrucciones de mantenimiento).



**Parada de urgencia  
Bascular el interruptor (J)**

## 9 Incidentes durante el corte

- Algunas irregularidades pueden provocar el bloqueo de la máquina o del disco en la ranura :
  - Tensión de las correas.
  - Falta de combustible.
  - Velocidad excesiva de penetración o avance, etc..
- **En este caso**, retire el disco de la ranura y haga una inspección completa de la máquina.



**Reparar la máquina por una persona cualificada**

## 10 Mantenimiento



**"Mantenimiento motor": remitirse al manual de mantenimiento del motor.**

- Consiste principalmente en un limpiado de la máquina después de cada uso.
- Engrase : alimentar con moderación los engrasadores del chasis de ajuste de profundidad con grasa para rodamientos (según la frecuencia de utilización).



**ACEITE**

- Verificar el aceite motor diariamente. Remitirse al manual del motor para los intervalos de cambio de aceite. Utilizar :
  - aceite de motor SAE 10W30 con API clase MS, SD, SE, o mejor para motores de GASOLINA.
  - API clase CD o CE para motor diesel Hatz.



**El lubricante se eliminará de conformidad con las modalidades prescritas por la legislación vigente.**

- Para vaciar el motor, desmontar el disco, poner la máquina en la posición baja máxima y, después, poner el depósito en la salida de vaciado (L) [VEASE FIG. 4].



**Guardar fuera del alcance de los niños**

**Mantener cuidadas las herramientas**

#### FILTRO DE AIRE

- Lea el manual del usuario para conocer los intervalos de mantenimiento. Para condiciones extremadamente polvorrientas, deberá limpiar el filtro de aire 2 a 3 veces al día.
- Reemplace cualquier filtro o empaquetadura dañada.



**Guarde la máquina en un lugar seguro y fuera del alcance de los niños.**

**Retire todas las herramientas y llaves de ajuste.**

**Guarde la herramienta diamantada en un sitio seguro en donde no pueda curvarse o dañarse.**

#### 11 Tensión de las correas del motor

Tal vez sea necesario tensar nuevamente las correas, de forma moderada, después de algún tiempo de trabajo. Siga estas instrucciones.

- Afloje las 2 tuercas (S) que aseguran el motor al bastidor (no las quite) [VEASE FIG. 5].
- Apriete las tuercas en el tuerca tensor (N) para tirar el motor hacia atrás.
- Después de obtener la tensión apropiada, apriete las tuercas de sujeción del motor (S).

#### 12 Recomendaciones importantes

- Apretar periódicamente las tuercas y los tornillos, especialmente después de las primeras horas de servicio.
- Comprobar la tensión de las correas y de ser necesario tensarlas de forma moderada.
- En posición de inmovilización, se aconseja desmontar el disco y guardarlo con las debidas precauciones.
- Apretar correctamente el disco.
- Comprobar si las superficies de contacto del disco, de los soportes y del eje están limpias.



**El fabricante no se responsabiliza de los daños causados en caso de utilización inadaptada, modificación, adaptación o motorización no conforme a la definición de origen prevista por el fabricante.**



**En el puesto de trabajo, el nivel de intensidad acústica no debe pasar los 85 db (A). En este caso, se deberán utilizar medidas individuales de protección.**



**En un lugar de trabajo cerrado, asegúrese una ventilación adecuada, ya que el gas resultante contiene óxido de carbono. Una fuerte exposición a esta gas podría provocar la pérdida de consciencia e incluso la muerte.**

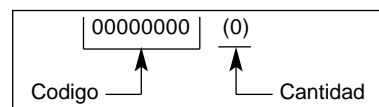
#### 13 Reparaciones

S  
A  
V

Estamos a su entera disposición para asegurarle todas las reparaciones en el plazo más breve posible, y a los mejores precios (ver dirección al reverso).

#### 14 Piezas de recambio

Para una entrega rápida de las piezas de recambio, y con el fin de evitar cualquier contratiempo, es necesario especificar en cada pedido las indicaciones que figuran en la placa que contiene la descripción de la máquina, así como la referencia de la pieza que se va a reemplazar.



Ver despiece

#### 15 Desecho



**En caso de deterioro y de rotura de la máquina, ésta deberá ser eliminada de conformidad con las modalidades prescritas por la legislación vigente.**

- Materiales principales :
  - *Motor* : Aluminio (AL) - Acero (AC) - Cobre (CU) - Poliamida (PA).
  - *Máquina* : Chapa de acero (AC) - Fundición (FT) - Aluminio (AL)

Los consejos de utilización y repuestos que se encuentran sobre este documento son dados para su información y no como promesa.

Preocupados por la calidad de nuestros productos, nos reservamos el derecho de efectuar, sin previo aviso, todas las modificaciones técnicas en fig. de su mejoramiento.







[www.husqvarnacp.com](http://www.husqvarnacp.com)

115 03 83-30

2007-06-15